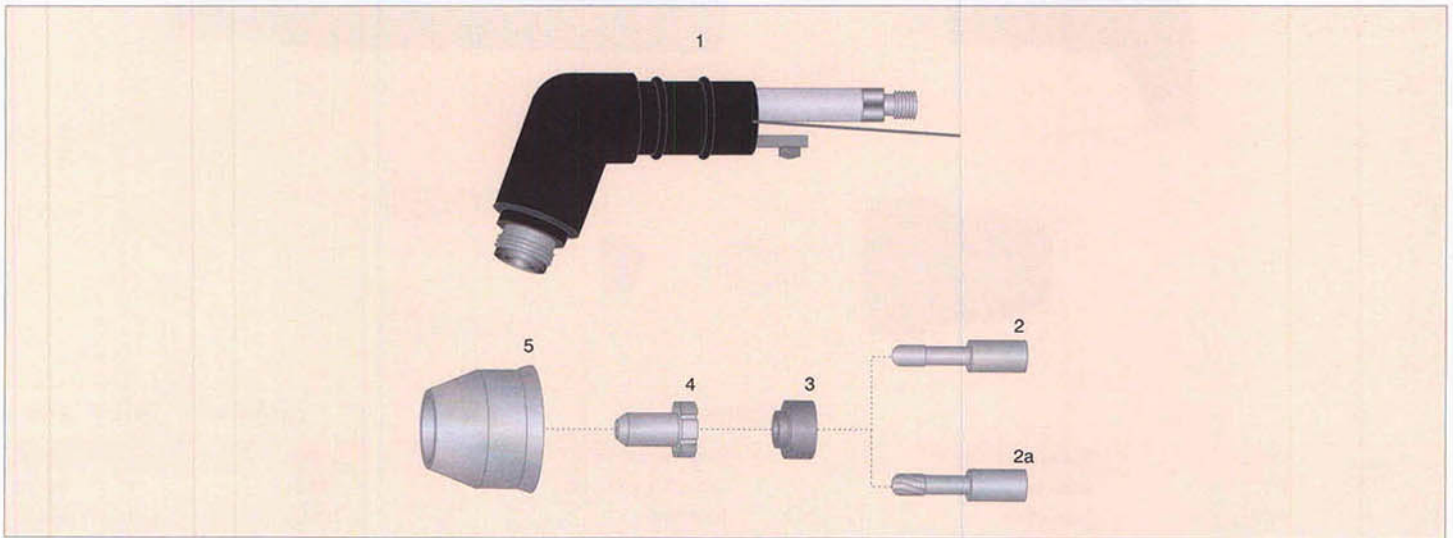


ITEM	Part No	DESCRIPTION	ORIGINAL REF.	PACK	
COMPLETE TORCHES	PLTD10.6	Torcia completa mt. 6	- Complete torch 6 Mts.	2-1020	
	1	PLTD10.06	Corpo torcia	- Torch head	9-0016
2	PLTD51.08	Impugnatura	- Handle	9-0019	
3	PLTD35.01	Elettrodo Liscio-Hf Ø 3,5	- Electrode - Hf Ø 3,5	9-6006	10
3a	PLTD35.01Z	Elettrodo Zigrinato-Hf Ø 3,5	- Smooth Electrode - Hf Ø 3,5	9-6006	10
4	PLTD35.05	Distributore Gas VESPEL	- Gas distributor - VESPEL	9-6007	10
5	PLTD10.02	Ugello	- Tip	9-6099	10
6	PLTD35.03	Ugello esterno	- Outside nozzle	9-6003	10
	PLTD10.20	Pacco cavi da mt. 6	- Complete cable 6 Mts.	4-6071E	

REPLACEMENT PARTS SUITABLE FOR: **THERMAL DYNAMICS**® - PCH-20
Dynapak 110, Pak 2XT



ITEM	Part No	DESCRIPTION	ORIGINAL REF.	PACK	
1	PLTD20.06	Corpo torcia	- Torch head	8-3220	1
2	PLTD35.01	Elettrodo Liscio-Hf Ø 3,5	- Electrode - Hf Ø 3,5	9-6006	10
2a	PLTD35.01Z	Elettrodo Zigrinato-Hf Ø 3,5	- Smooth Electrode - Hf Ø 3,5	9-6006	10
3	PLTD20.05	Distributore Gas	- Gas distributor	8-3233	10
4	PLTD20.02	Ugello	- Tip	8-3218	10
5	PLTD20.03	Ugello esterno	- Outside nozzle	8-3214	10